

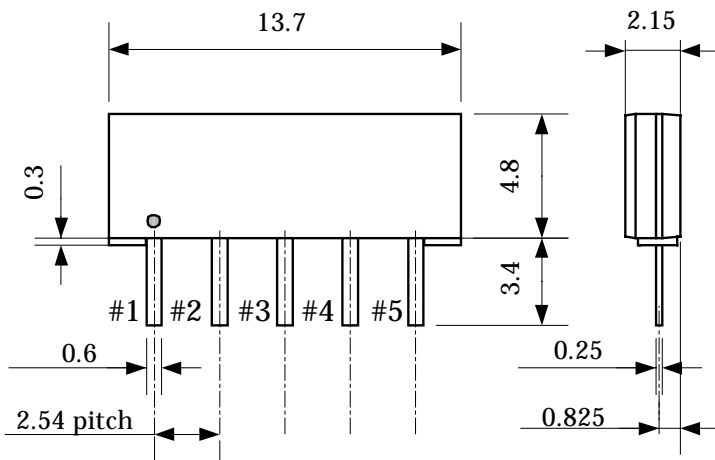
Customer Name	Standard specification	FUJITSU MEDIA DEVICES LIMITED	
Application	IF Filter for Terrestrial-TV		
System	America		
Picture Carrier Frequency	44.00 MHz	DATE	Jun. 07 2005
FMD Part Number	FAR-F4SE-44M000-H0A4	Version	2.0

Table 1 Proposal Specification (Ta=25°C)

Items	Conditions	Specification			Unit	Remarks
		Min.	Typ.	Max.		
Insertion Loss	44.00 MHz	18.6	20.1	21.6	dB	
Pass Bandwidth	3dB		5.37		MHz	
	30dB		6.33		MHz	
Relative level	35.00 ~ 39.75 MHz	-	-47	-40	dB	
	39.75 MHz	-	-55	-43	dB	
	40.75 MHz	-	-36	-27	dB	
	41.31 MHz	-4.3	-3.3	-2.3	dB	
	41.60 MHz	-	0.1	-	dB	
	44.00 MHz	-	0	-	dB	Reference
	46.40 MHz	-	0.1	-	dB	
	46.69 MHz	-3.9	-2.9	-1.9	dB	
	47.25 MHz	-	-45	-30	dB	
	48.17 MHz	-	-50	-40	dB	
	48.17 ~ 52.00 MHz	-	-43	-37	dB	
52.00 ~ 55.00 MHz	-	-50	-42			
Amplitude ripple (p-p)	41.60 ~ 46.40 MHz	-	0.6	1.0	dB	
Group delay ripple (p-p)	41.31 ~ 46.69 MHz	-	47	-	ns	
Input Impedance	44.00 MHz	-	2.0//20.9	-	kΩ//pF	
Output Impedance	44.00 MHz	-	4.5//7.4	-	kΩ//pF	
Temperature coefficient		-	-18	-	ppm/°C	

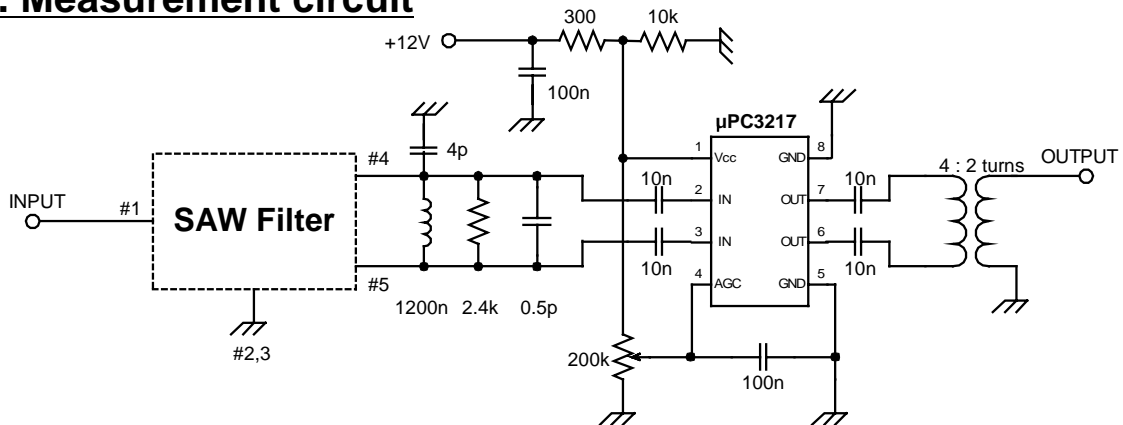
Customer Name	Standard specification	FUJITSU MEDIA DEVICES LIMITED	
Application	IF Filter for Terrestrial-TV		
System	America		
Picture Carrier Frequency	44.00 MHz	DATE	Jun. 07 2005
FMD Part Number	FAR-F4SE-44M000-H0A4	Version	2.0

1. Pin assignment of plastics Package



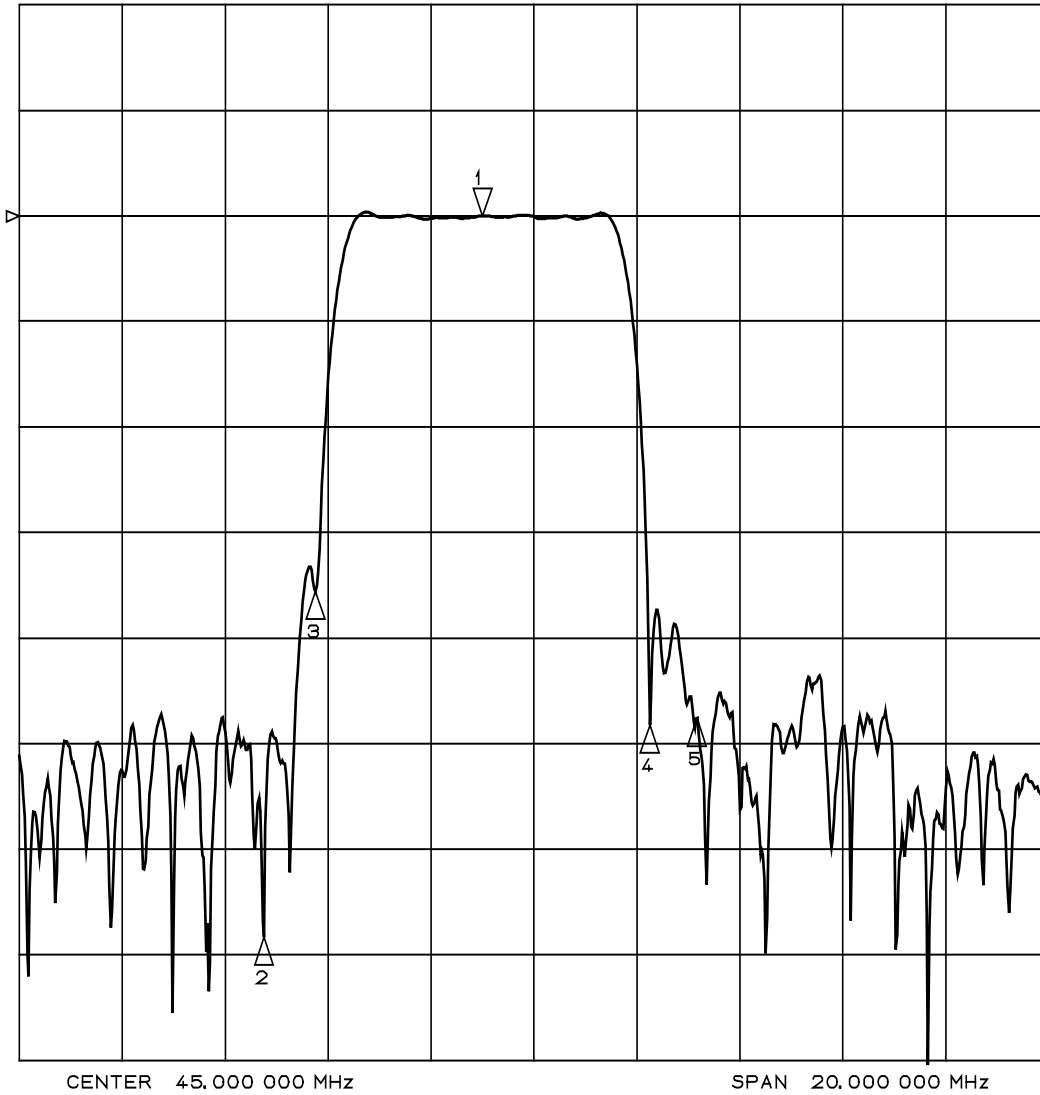
Pin No.	Pin name	Description
1	IN	input pin
2	IN	input pin (Ground)
3	GND	Ground pin
4	OUT	output pin
5	OUT	output pin

2. Measurement circuit



Customer Name	Standard specification	FUJITSU MEDIA DEVICES LIMITED	
Application	IF Filter for Terrestrial-TV		
System	America		
Picture Carrier Frequency	44.00 MHz	DATE	Jun. 07 2005
FMD Part Number	FAR-F4SE-44M000-H0A4	Version	2.0

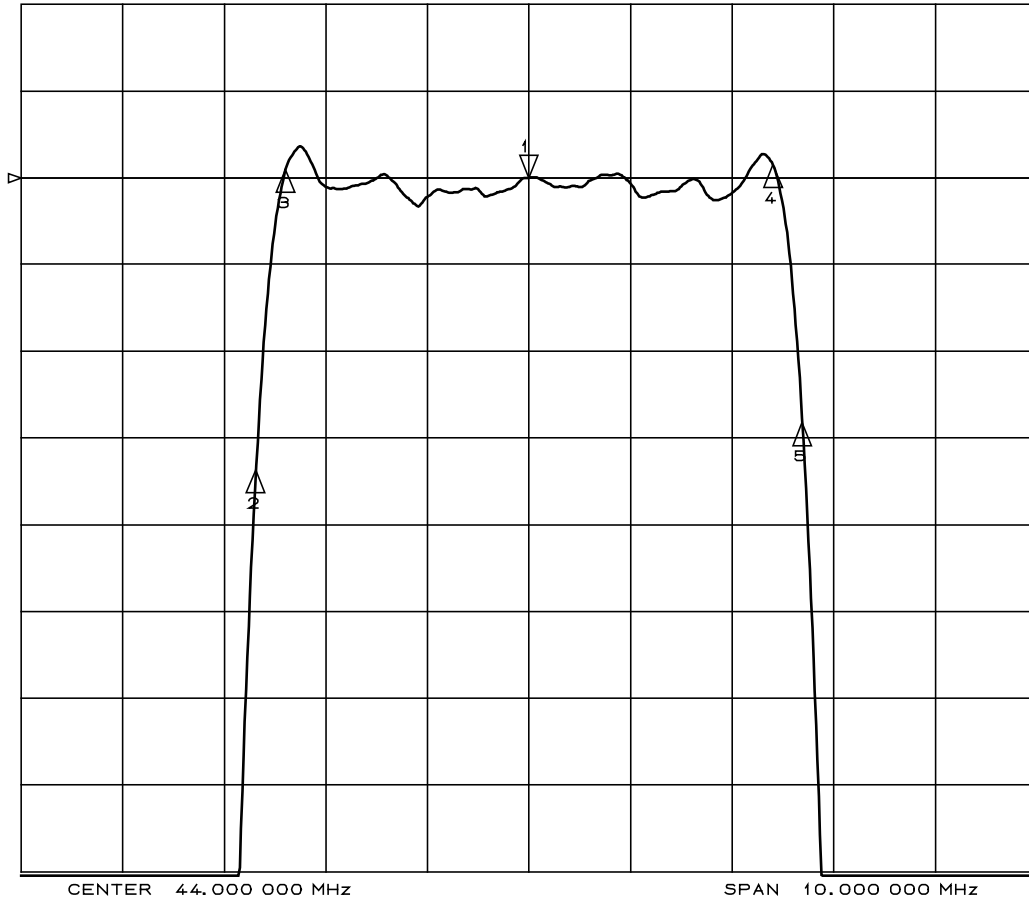
Amplitude Response (10dB/div)



- Marker 1 = 44.00 MHz
- Marker 2 = 39.75 MHz
- Marker 3 = 40.75 MHz
- Marker 4 = 47.25 MHz
- Marker 5 = 48.17 MHz

Customer Name	Standard specification	FUJITSU MEDIA DEVICES LIMITED	
Application	IF Filter for Terrestrial-TV		
System	America		
Picture Carrier Frequency	44.00 MHz	DATE	Jun. 07 2005
FMD Part Number	FAR-F4SE-44M000-H0A4	Version	2.0

Amplitude Response (1dB/div)

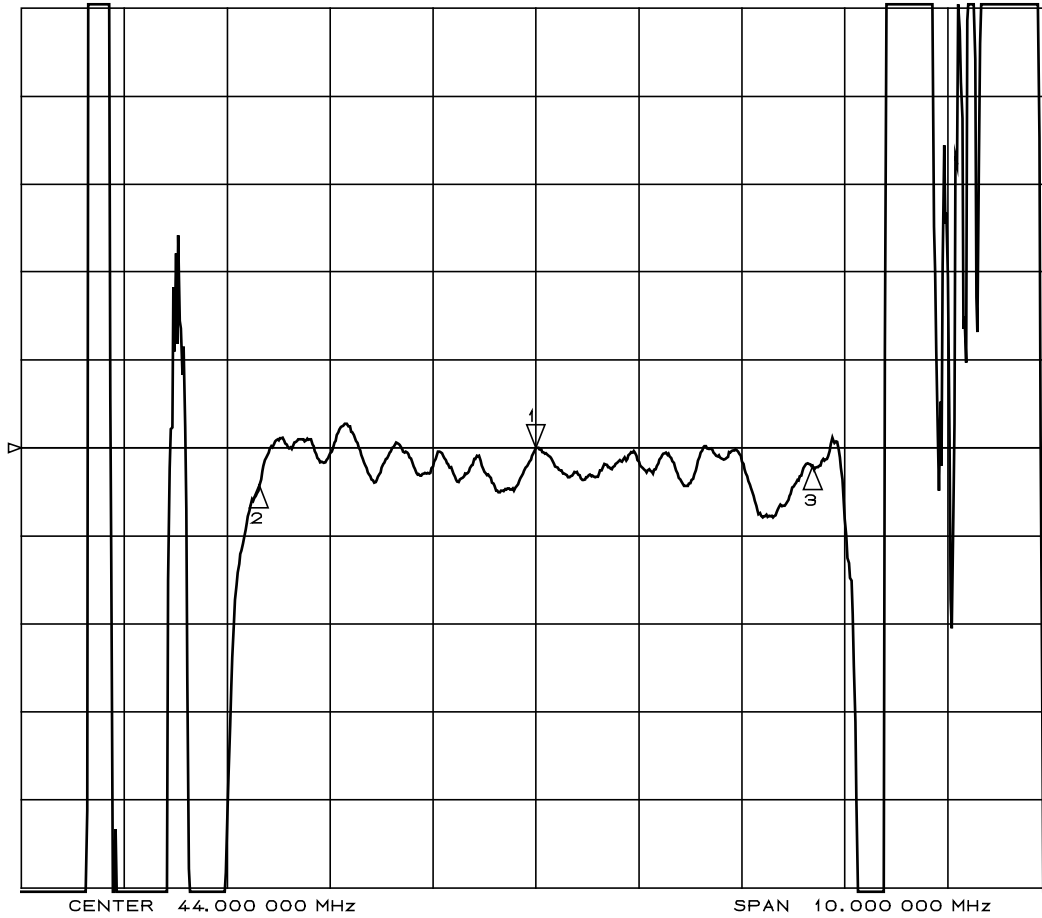


- Marker 1 = 44.00 MHz
- Marker 2 = 41.31 MHz
- Marker 3 = 41.60 MHz
- Marker 4 = 46.40 MHz
- Marker 5 = 46.69 MHz

Customer Name	Standard specification	FUJITSU MEDIA DEVICES LIMITED	
Application	IF Filter for Terrestrial-TV		
System	America		
Picture Carrier Frequency	44.00 MHz	DATE	Jun. 07 2005
FMD Part Number	FAR-F4SE-44M000-H0A4	Version	2.0

Group Delay (50ns/div)

Delay Aper.=200kHz



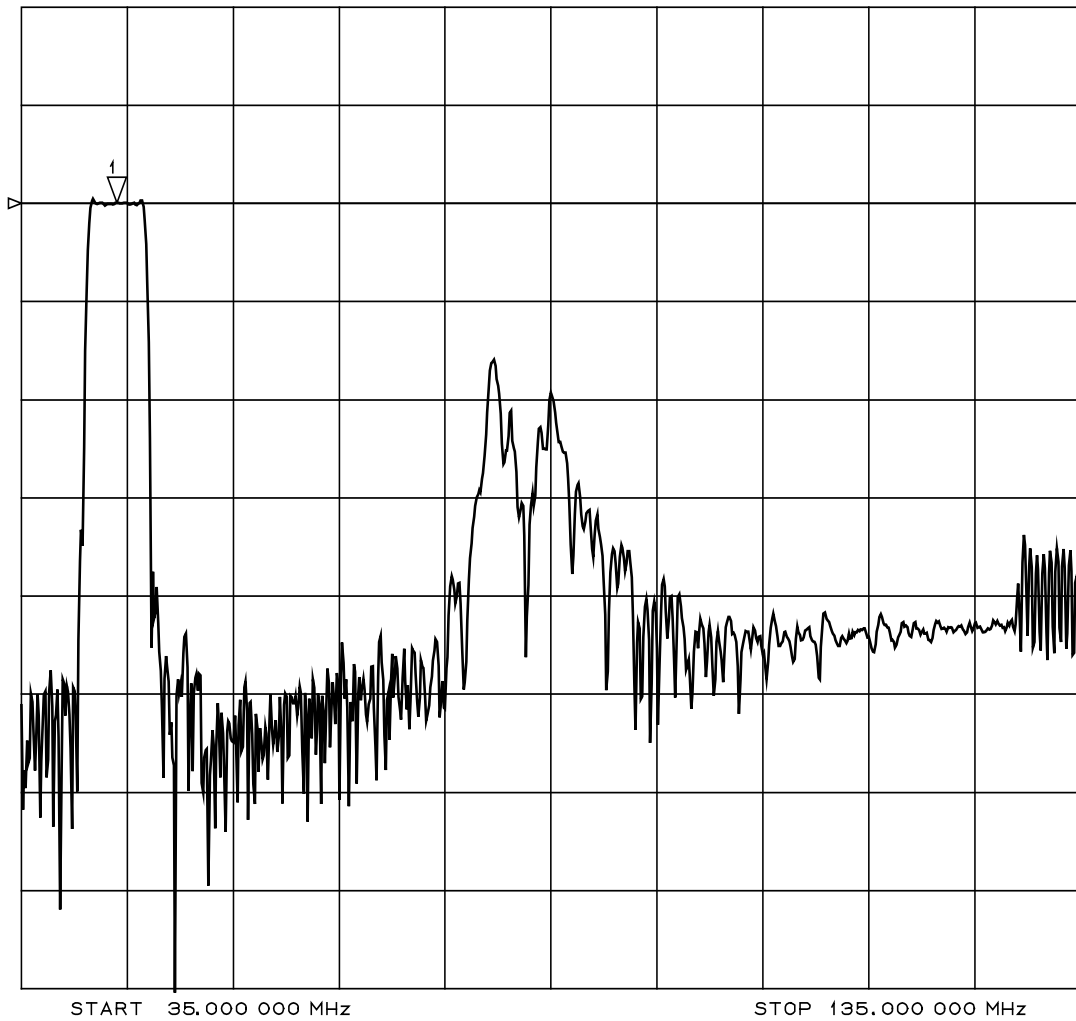
Marker 1 = 44.00 MHz

Marker 2 = 41.31 MHz

Marker 3 = 46.69 MHz

Customer Name	Standard specification	FUJITSU MEDIA DEVICES LIMITED	
Application	IF Filter for Terrestrial-TV		
System	America		
Picture Carrier Frequency	44.00 MHz	DATE	Jun. 07 2005
FMD Part Number	FAR-F4SE-44M000-H0A4	Version	2.0

Amplitude Response (10dB/div)
(35.0MHz ----- 135.0MHz)



Marker 1 = 44.00 MHz

Customer Name	Standard specification	FUJITSU MEDIA DEVICES LIMITED	
Application	IF Filter for Terrestrial-TV		
System	America		
Picture Carrier Frequency	44.00 MHz	DATE	Jun. 07 2005
FMD Part Number	FAR-F4SE-44M000-H0A4	Version	2.0

Time domain Response (10dB/div)

